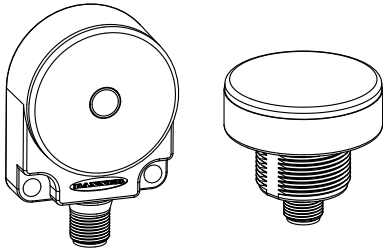


# WL50 Work Light



## General-Purpose LED Work Lights

For the latest technical information about this product, including specifications, dimensions, and wiring, see [http://www.bannerengineering.com/IL\\_WL50F](http://www.bannerengineering.com/IL_WL50F)



Shown are flat-mount model with push-button (left) and 30 mm base-mount model without

- Designed for enclosure or area lighting
- Illuminates a large area with an even pattern of light and no shadows
- Standard or push-button models available
- Flat-mount or 30 mm base-mount models available
- Rugged, sealed polycarbonate housing rated to IP69K (standard models) or IP67 (push-button models)
- Low-profile design with several mounting options
- 12 to 30V dc operation
- Cabled and Quick Disconnect models available
- Low power consumption; less than 2 watts

## Models

Flat-mount models include a 48 mm (1.9") circular velcro mounting kit and circular magnet for easy mounting with no additional hardware.

Model*	Push-Button	Mounting Style	Input
WL50F	Standard (no push-button)	Flat-mount	12 to 30V dc
WL50		30 mm base-mount	
WL50FPB	Push-button	Flat-mount	
WL50PB		30 mm base-mount	

\*Only standard 2 m (6.5') cable models are listed.

- For 9 m (30') cable: add suffix "W/30" to the model number (e.g., WL50F W/30).
- For 4-Pin Euro-style Integral QD connector, add suffix "Q" to the model number (e.g., WL50FQ).
- For 150 mm (6") 4-pin Euro pigtail QD, add suffix "QP" to the model number (e.g., WL50FQP).

A model with a QD requires a mating cordset (see [4-Pin Euro-Style Cordsets](#) on page 4).



### WARNING: Not To Be Used for Personnel Protection

Never use this product as a sensing device for personnel protection. Doing so could lead to serious injury or death. This product does NOT include the self-checking redundant circuitry necessary to allow its use in personnel safety applications. A sensor failure or malfunction can cause either an energized or de-energized sensor output condition.



## Specifications

### Supply Voltage and Current

12 to 30V dc (10% max. ripple)

Use only with suitable Class 2 power supply.

Max. current: 105 mA @ 12V dc; 55 mA @ 30V dc

Max. Input Power: 1.7 watts

### Power-Up Response Time

Light On: 1 ms (max.) for models without push-button

### Light Characteristics

Color temperature (CCT): 5000 to 10000 K

Color: Cool white

Intensity (typical): 65 lumens; 50 lux @ 1 meter

### Construction

Polycarbonate housing; nickel-plated QD connector or PVC-jacketed cable

### Environmental Rating

Standard models: IP69K per DIN 40050

Push-Button Models: IEC IP67

### Connections

Integral 4-pin Euro-style QD, 150 mm PVC pigtail with QD, or 2 m 6.5' integral cable, depending on model

### Operating Conditions

-40° to +50° C (-40° to +122° F)

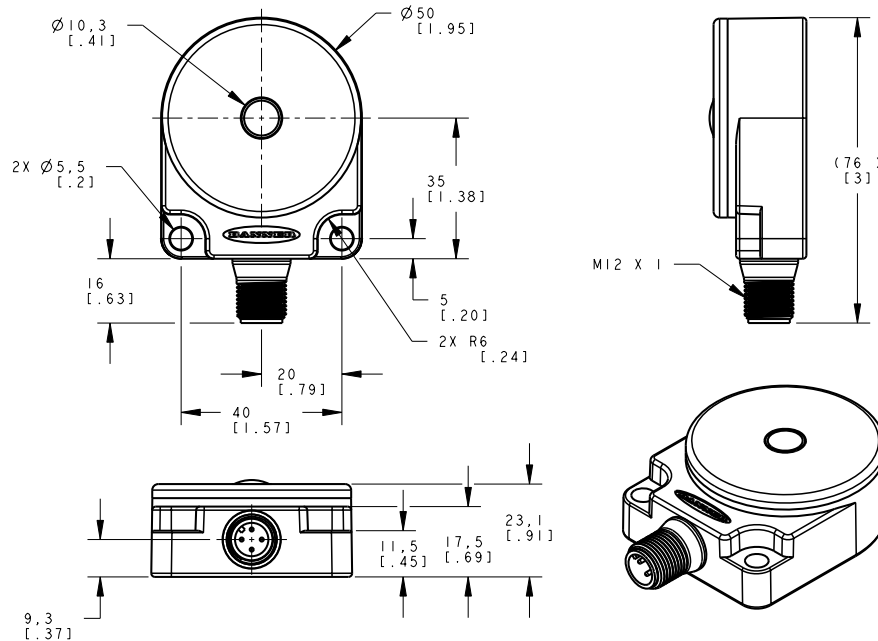
### Certifications



### Application Note

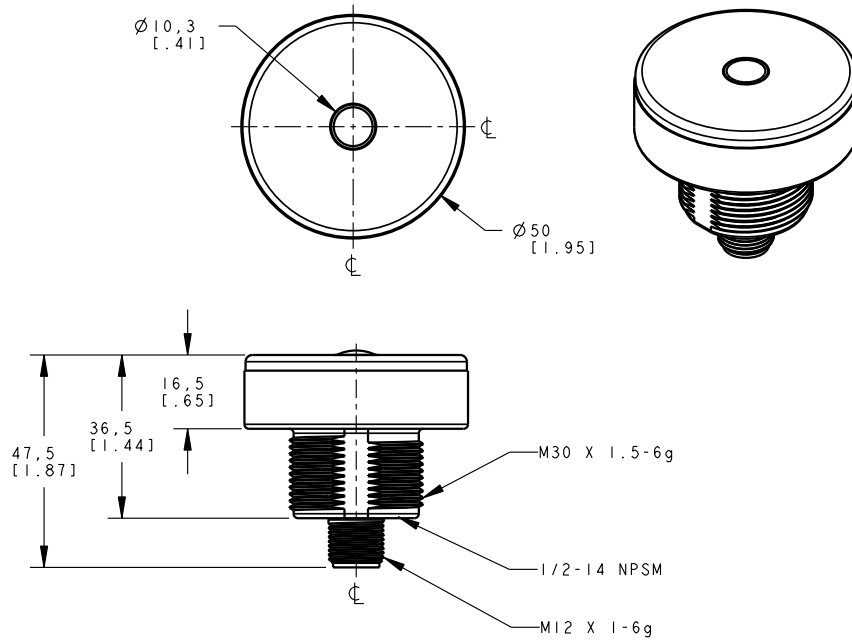
Push-button models: When power is initially applied to the device, or following a power interruption and the light is off, push the push-button to turn the light on.

## Dimensions — Flat-mount



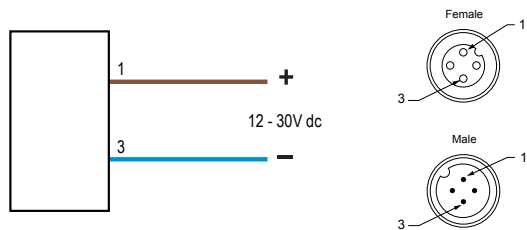
\* Push-button model shown. Push-button located in center of light.

## Dimensions — 30 mm base-mount



\* Push-button model shown. Push-button located in center of light.

## Wiring



**Wiring Key:**  
 1 = Brown  
 3 = Blue

## 4-Pin Euro-Style Cordsets

4-Pin M12/Euro-Style Cordsets (straight connector)	4-Pin M12/Euro-Style Cordsets (right-angle connector)
MQDC-406, 2 m (6.5')	MQDC-406RA, 2 m (6.5')
MQDC-415, 5 m (15')	MQDC-415RA, 5 m (15')
MQDC-430, 9 m (30')	MQDC-430RA, 9 m (30')

## Contact Us

For more information: Contact your local Banner representative or Banner Corporate Offices around the world.

**Corporate Headquarters: Banner Engineering Corp.** 9714 Tenth Ave. North, Mpls., MN 55441, Tel: 763-544-3164, [www.bannerengineering.com](http://www.bannerengineering.com), [sensors@bannerengineering.com](mailto:sensors@bannerengineering.com)

**Europe: Banner Engineering Europe** Park Lane, Culliganlaan 2F, Diegem B-1831 BELGIUM, Tel: 32-2 456 07 80, Fax: 32-2 456 07 89, [www.bannereurope.com](http://www.bannereurope.com), [mail@bannereurope.com](mailto:mail@bannereurope.com)

**Latin America:** Contact Banner Engineering Corp. (US) or e-mail **Mexico:** [mexico@bannerengineering.com](mailto:mexico@bannerengineering.com); or **Brazil:** [brasil@bannerengineering.com](mailto:brasil@bannerengineering.com)

### Asia:

**Banner Engineering China** Shanghai Rep Office Rm. G/H/I, 28th Flr. Cross Region Plaza No. 899, Lingling Road, Shanghai 200030 CHINA, Tel: 86-21-54894500, Fax: 86-21-54894511, [www.bannerengineering.com.cn](http://www.bannerengineering.com.cn), [sensors@bannerengineering.com.cn](mailto:sensors@bannerengineering.com.cn)

**Banner Engineering Japan** Cent-Urban Building 305 3-23-15, Nishi-Nakajima Yodogawa-Ku, Osaka 532-0011 JAPAN, Tel: 81-6-6309-0411, Fax: 81-6-6309-0416, [www.bannerengineering.co.jp](http://www.bannerengineering.co.jp), [mail@bannerengineering.co.jp](mailto:mail@bannerengineering.co.jp)

**Banner Engineering Asia — Taiwan** Neihu Technology Park 5F-1, No. 51, Lane 35, Jihu Rd., Taipei 114 TAIWAN, Tel: 886-2-8751-9966, Fax: 886-2-8751-2966, [www.bannerengineering.com.tw](http://www.bannerengineering.com.tw), [info@bannerengineering.com.tw](mailto:info@bannerengineering.com.tw)

**Banner Engineering India** Pune Head Quarters Office, No. 1001 Sai Capital, Opp. ICC Senapati Bapat Road, Pune 411016 INDIA, Tel: 91-20-66405624, Fax: 91-20-66405623, [www.bannerengineering.co.in](http://www.bannerengineering.co.in), [india@bannerengineering.com](mailto:india@bannerengineering.com)



Warranty: Banner Engineering Corp. will repair or replace, free of charge, any product of its manufacture found to be defective at the time it is returned to the factory during the warranty period. This warranty does not cover damage or liability for the improper application of Banner products. This warranty is in lieu of any other warranty either expressed or implied.